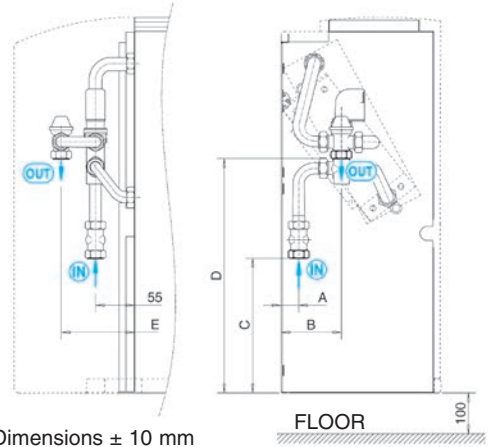
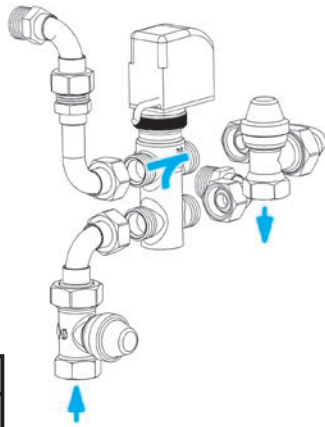


## VBP main coil 3 way valve

Control valve kit:  
3 way valve, ON-OFF,  
with electric motor and mounting kit  
with micrometric lockshield valve.



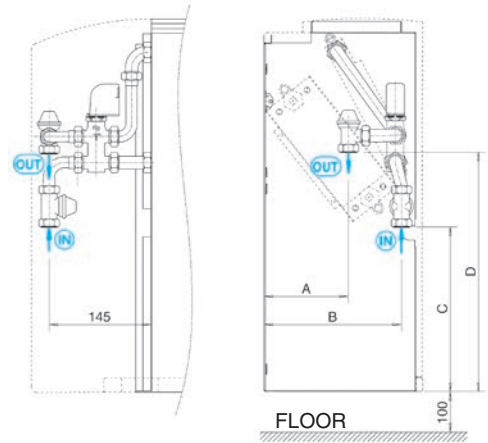
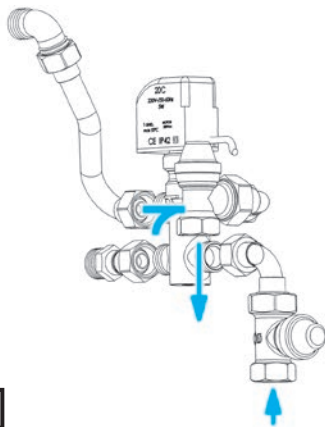
Dimensions ± 10 mm

<b>VERSION</b>	<b>CRC / CRR</b>
<b>MODEL</b>	<b>MV - MO - MVB - IV - IO</b>

Mod.	Dimensions (mm)					Valve			Micrometric lockshield valve			Code		
	A	B	C	D	E	DN	(Ø)	Kvs	DN	(Ø)	Kvs	FITTED	NOT FITTED	
<b>CRC</b>	<b>1 ÷ 5</b>	25	85	190	290	105	15	1/2"	1,6	15	1/2" F	2	9066561H	9066560H
	<b>6 - 7</b>	25	85	190	290	105	20	3/4"	2,5	15	1/2" F	2	9060471H	9060474H
	<b>8 - 9</b>	50	120	185	290	105	20	3/4"	2,5	15	1/2" F	2	9060471H	9060474H
<b>CRR</b>	<b>1 ÷ 4</b>	15	90	200	315	95	15	1/2"	1,6	15	1/2" F	2	9066561H	9066560H

## VBA additional coil 3 way valve

Control valve kit:  
3 way valve, ON-OFF,  
with electric motor and mounting kit  
with micrometric lockshield valve.



Dimensions ± 10 mm

<b>VERSION</b>	<b>CRC</b>
<b>MODEL</b>	<b>MV - MO - MVB - IV - IO</b>

Mod.	Dimensions (mm)				Valve			Micrometric lockshield valve			Code	
	A	B	C	D	DN	(Ø)	Kvs	DN	(Ø)	Kvs	FITTED	NOT FITTED
<b>1 ÷ 7</b>	120	195	240	340	15	1/2"	1,6	15	1/2" F	2	9060472H	9060475H
<b>8 - 9</b>	135	200	235	330	15	1/2"	1,6	15	1/2" F	2	9060472H	9060475H

